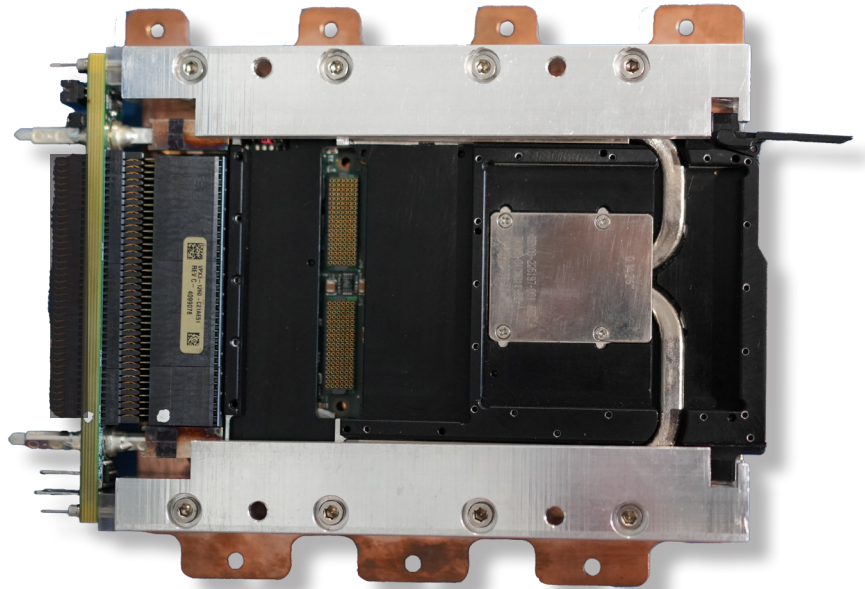


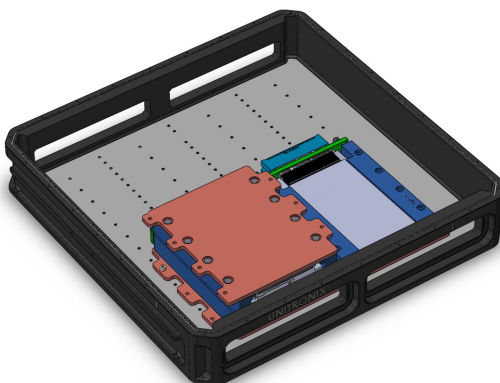
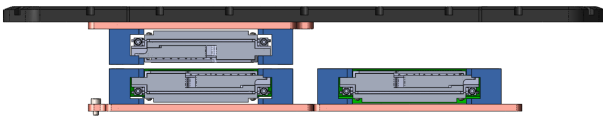
REN VPX FlatPAK is a single slot VPX card carrier, it can be supplied for 3U and 6U VPX cards.

It uses 1-slot VPX backplanes in the SOSA format along with VITA 62 PSU backplanes to provide a modular way of utilising VPX cards.

Important note: The REN VPX FlatPAK is designed to dissipate heat quickly into its host structure. It will not cool a VPX card on its own.



The REN VPX FlatPAK can be used on their own or in clusters, an example of this is used in the Unitronix 2U 19 inch chassis.



Unitronix manufactures two sizes of 2U 19 inch rack mounting fully sealed boxes that can host the VPX FlatPAK assemblies.

1). REN 19-14-VPX at 14 inches deep and hosting 2 FlatPAKs in base and two on lid.
Approx total power dissipation 120 Watts.

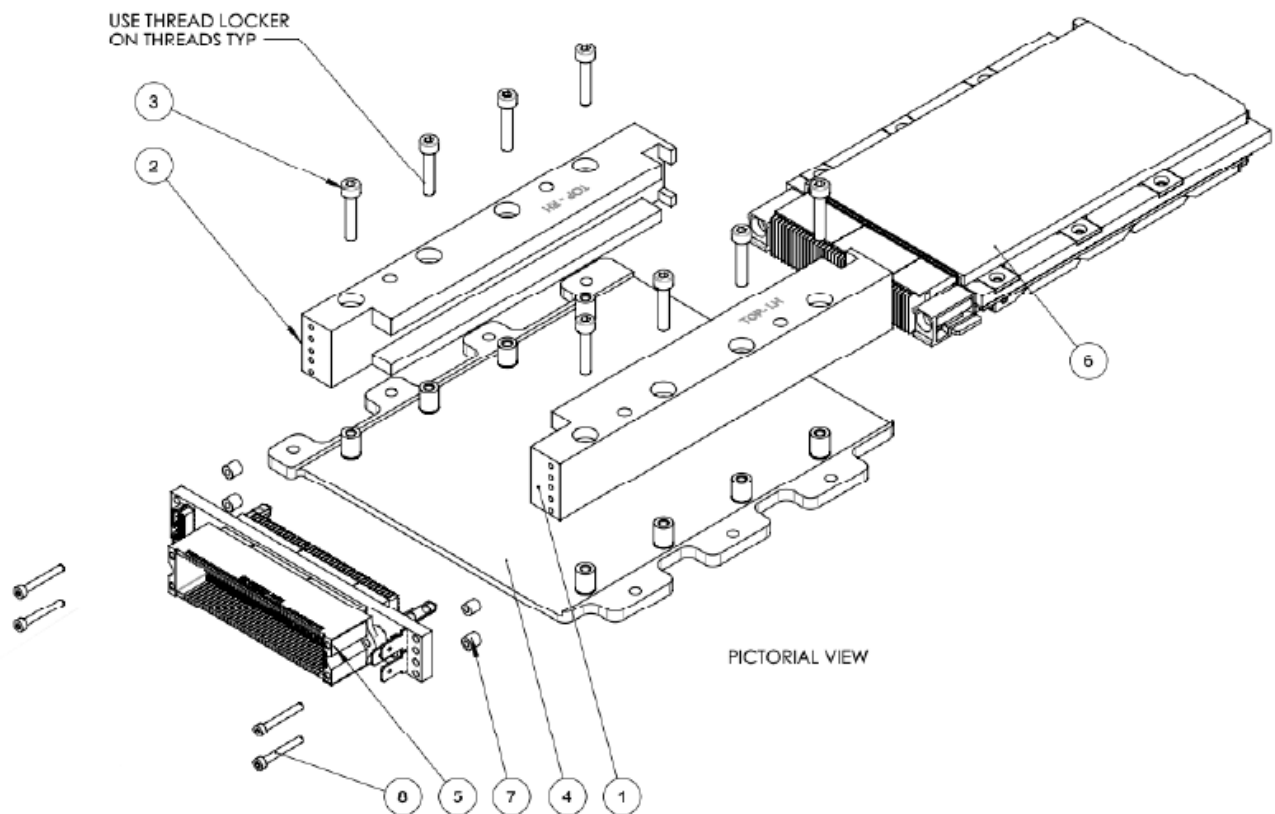
2). REN 19-17-VPX: 17 inches deep and hosting up to 4 FlatPAKs, 2 in base and 2 on lid.
Approx total power dissipation 140 Watts.

NOTE: Customers should take care with Power dissipation, it is very dependant on secondary cooling, ie air flow over the box.

In general a SBC / (SDR or GPU) combo and a VITA 62 PSU would be the limit and then consideration must be given for outside air flow and application processing profile.



REN VPX FlatPAK Assembly - Data Sheet 2024



ITEM NO	PART NUMBER	DESCRIPTION	QTY
1	12400-100-002	VPX SIDE RAIL - RH	1
2	12400-100-003	VPX SIDE RAIL - LH	1
3	AS 1420 M4 X 20-N	CAPHEAD M4X20 - 304 STAINLESS	8
4	12400-110-000	REN19-FLATPACK HEATPLATE ASSEMBLY	1
5	06-1017997-99	EXAMPLE BACKPLANE	1
6	EXAMPLE VPX BOARD	EXAMPLE VPX BOARD	1
7	HPS-5-2.6-5-POM	2.6 ID 5 OD X 5mm LONG SPACER	4
8	AS 1420 - M2.5 X 20-N	CAPHEAD 2.2X20	4



REN VPX FlatPAK Assembly - Data Sheet 2024

Unitronix are an innovative engineering-capable distributor and manufacturer of rugged, embedded computing solutions for military, aerospace and high-end industrial applications.

Established in 1984, we have supplied and supported Australian civil and defence programmes with reliable equipment needed to survive in some of the harshest environments.

In addition we design, develop and manufacture our own innovative Rugged Embedded Nodes - REN. These fully sealed project boxes have a high TRL and are aimed at new commercial industries such as: IoT, AI, Smart Grids, Data Analytics & Enterprise at the EDGE.

REN™ products are designed in Australia by Unitronix. REN™ boxes are made in Australia by Unitronix. REN™ Systems are built and tested in Australia by Unitronix. For UK customers in the future we will look at designing and manufacturing new designs in UK

Product Statement:
 UNITRONIX provides an item of engineering utility of a generalised nature, COTS (commercial off-the-shelf). It is the customers responsibility to decide if this product is suitable and safe to use in the application they will be using the equipment. Customers are entirely responsible for the testing and subsequent performance of this equipment in their application. All sales are subject to Unitronix’s general terms and conditions found on our about page:
<https://unitronix.com.au/about/>

REN SERIES
REN MINI
REN MAXi
REN 19-14 STD
REN 19-17 STD
REN 19 EW
REN 19-14 VPX
REN 19-17 VPX
REN Ai
REN VPX 4 Slot
REN VPX 6 Slot
REN VPX FlatPAK Assembly

<p>Unitronix Systems Head Office Unit 9, 37 Currans Road, Cooranbong, NSW 2265, Australia.</p> <p>T: +61 (0)2 4977 3511 E: unisales@untronix.com.au www.unitronix.com.au</p>	<p>Unitronix Systems Brisbane Office Unit 7, 229 Junction Road Cannon Hill, QLD 4170, Australia.</p> <p>T: +61 (0)438 274333 E: unisales@untronix.com.au www.unitronix.com.au</p>	<p>Unitronix Systems - UK Rombourne Business Centre 130 Aztec West, Bristol BS32 4UB United Kingdom</p> <p>T: +44 (0)1454 629679 E: sales@unitronix.co.uk www.unitronix.co.uk</p>
--	---	--